

2

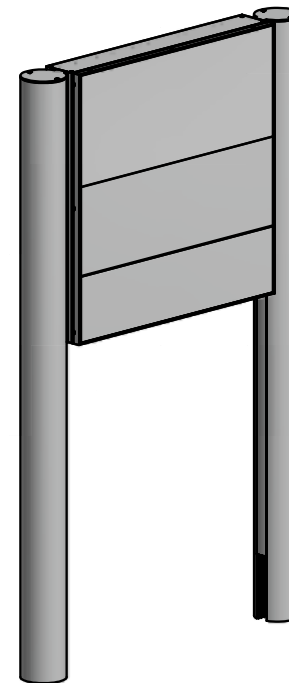
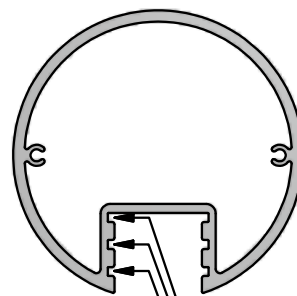


1

### PARTS LIST

ITEM	PART #	DESCRIPTION	NOTES
1	K1391/92/98	Series 4 SF Access Body / Insert Covers	Assembly
2	1200	Series 2/3/4 Reveal	Attaches to the Body
3	K1337	Series 4 Round Post	Assembly
4	5430	Series 4 Round Post Cap	3/4" Reveal Tab
41	5040	Cap Screw	#10 countersink

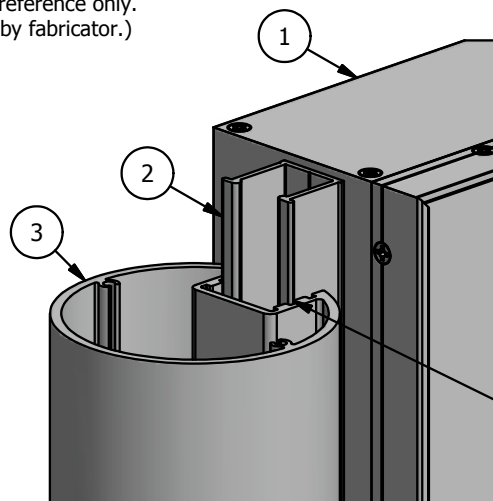
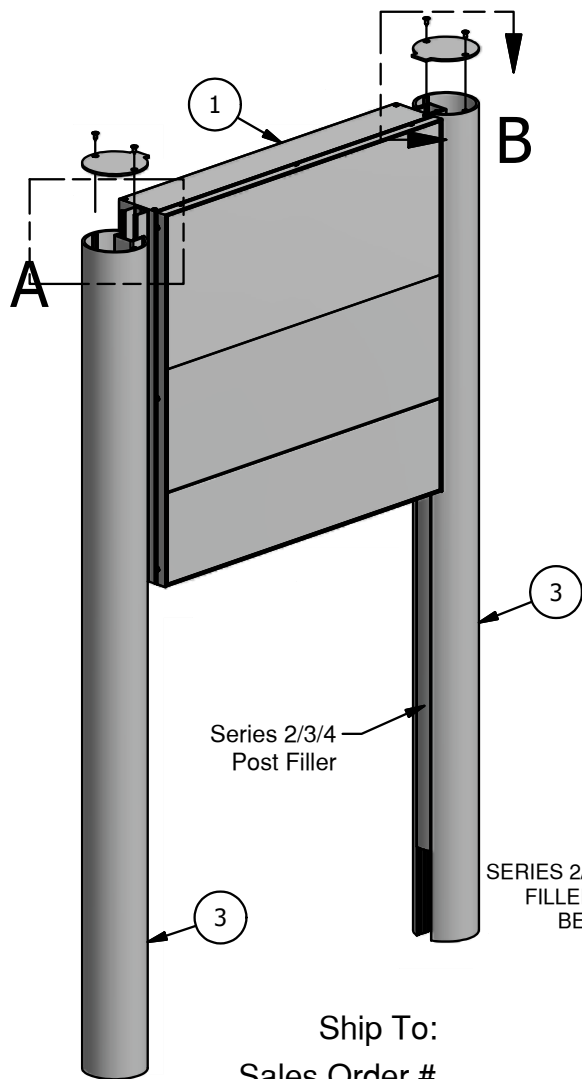
### REVEAL SETTING OPTIONS



### NOTE: PRE-CUT KITS ARE NOT PRE-DRILLED.

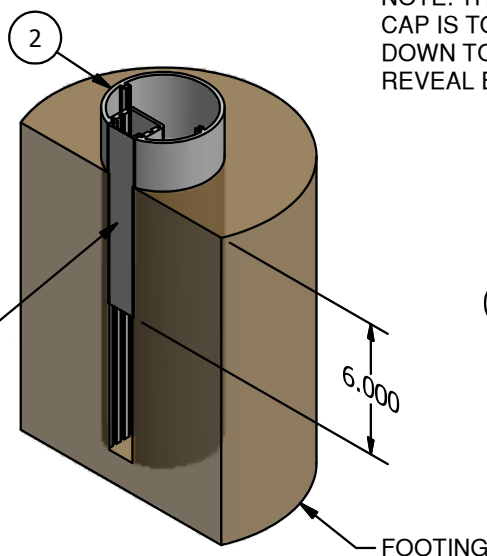
(Holes shown in this drawing are for reference only. Drilling of pilot holes are to be done by fabricator.)

B

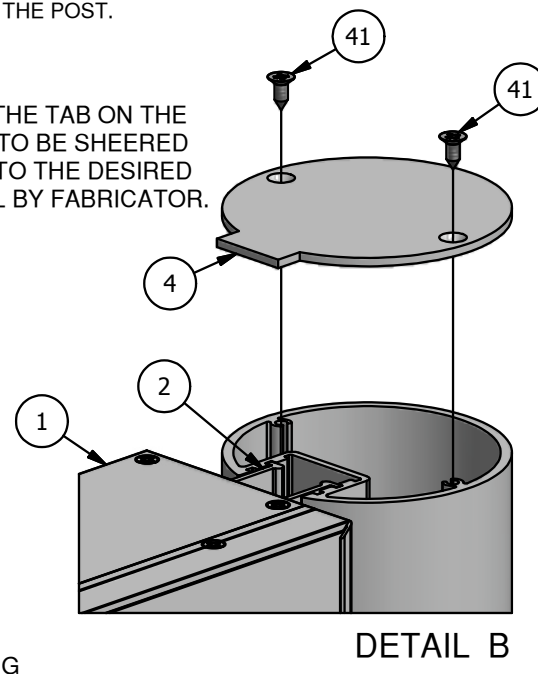


DETAIL A

SLIDE THE BODY/CABINET ASSEMBLY INTO THE DESIRED REVEAL POSITION IN THE POST.



NOTE: THE TAB ON THE CAP IS TO BE SHEERED DOWN TO THE DESIRED REVEAL BY FABRICATOR.



DETAIL B

THIS DRAWING WAS CREATED AT NO CHARGE TO ASSIST YOU IN VISUALIZING OUR PROPOSAL. THE DRAWING HEREIN IS THE PROPERTY OF SIGNCOMP. PERMISSION TO COPY OR REVISE THIS DRAWING OR TO USE THIS DRAWING FOR PRODUCTION IS STRICTLY PROHIBITED AND CAN ONLY BE COPIED, REVISED OR USED FOR PRODUCTION WITH THE EXPRESSED WRITTEN PERMISSION OF SIGNCOMP.

Project Name:	Series 4 SF Access Body - Insert and End Cvr - Series 4 Rnd Post	Sheet:	1 of 1	Size:	A
Sign Company:	K1391/92/98/37	Date:	10/31/2017	Drawing By:	SBreihof
Revision:					

B

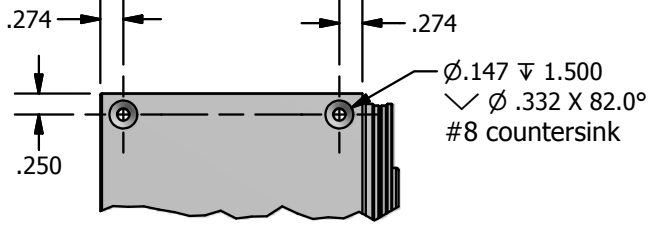


A

2



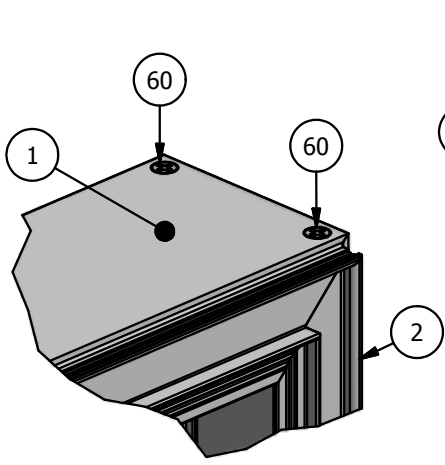
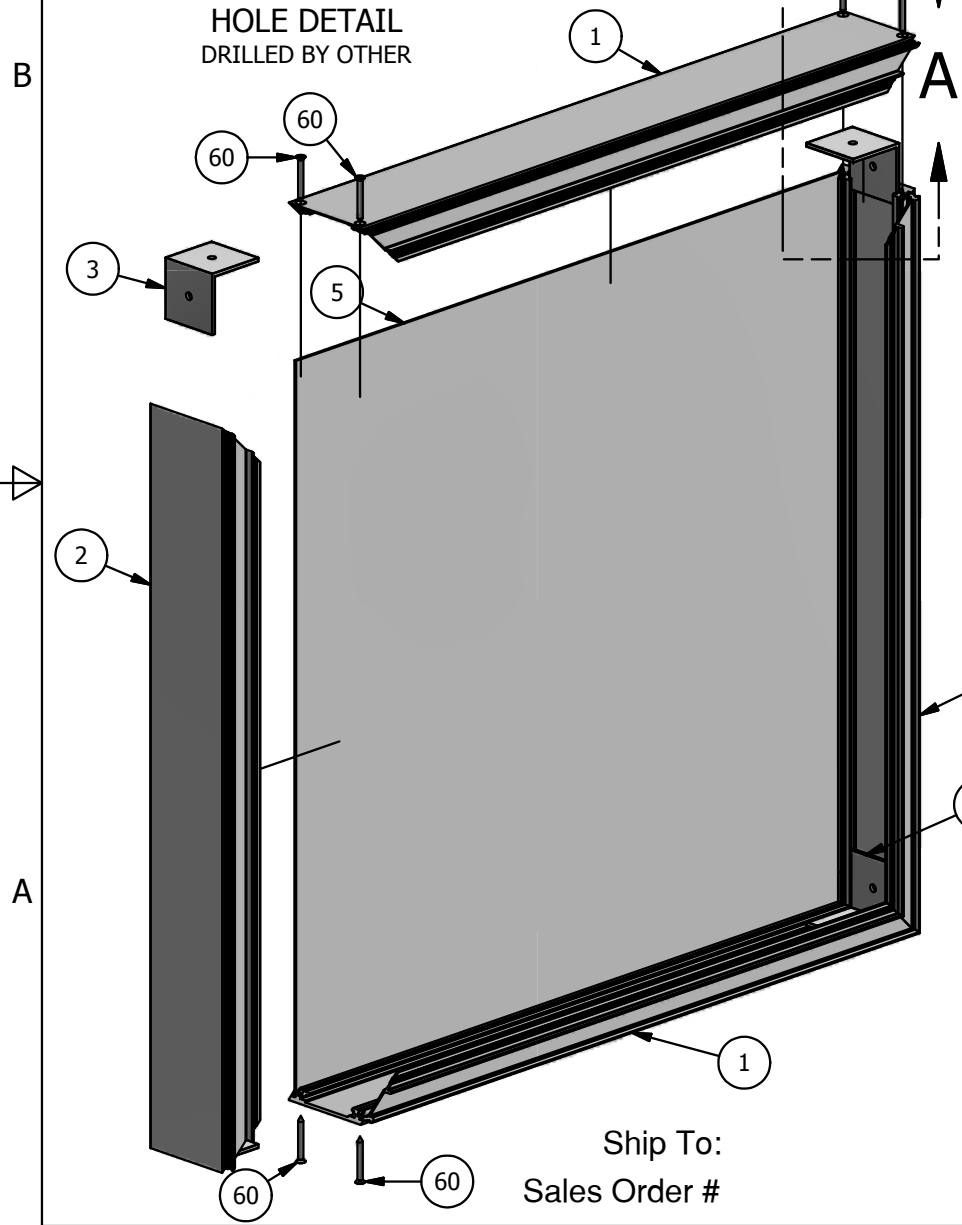
1



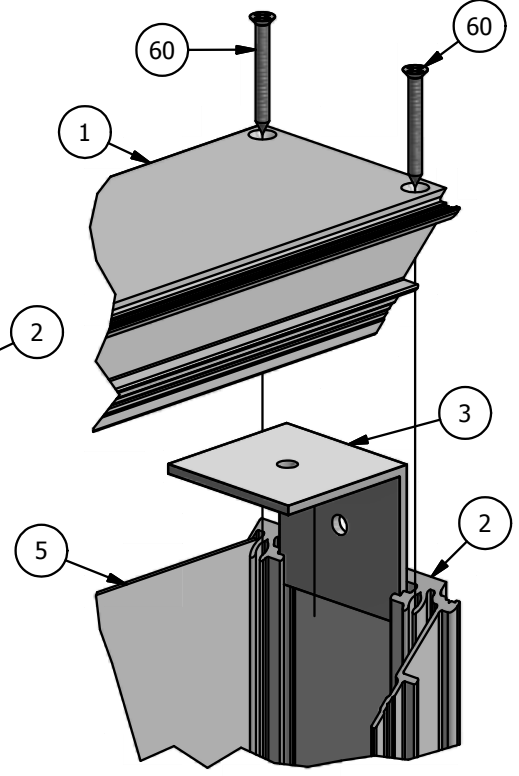
HOLE DETAIL  
DRILLED BY OTHER

PARTS LIST			
ITEM	PART #	DESCRIPTION	NOTES
1	1391	Series 4 Single Face Access Body	Top & Bottom
2	1391	Series 4 Single Face Access Body	Sides
3	5340	Series 4 Access Body Corner Angle	One (1) per body corner
5		.063 Aluminum Back	By Other
60	5270	Access Body Corner Screw	See hole detail

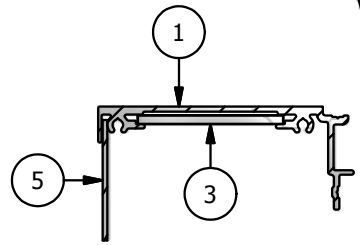
**NOTE: PRE-CUT KITS ARE NOT PRE-DRILLED.**  
(Holes shown in this drawing are for reference only.  
Drilling of pilot holes are to be done by fabricator.)



DETAIL A-2



DETAIL A-1



CABINET SECTION-VIEW

THIS DRAWING WAS CREATED AT NO CHARGE TO ASSIST YOU IN VISUALIZING OUR PROPOSAL. THE DRAWING HEREIN IS THE PROPERTY OF SIGNCOMP. PERMISSION TO COPY OR REVISE THIS DRAWING OR TO USE THIS DRAWING FOR PRODUCTION IS STRICTLY PROHIBITED AND CAN ONLY BE COPIED, REVISED OR USED FOR PRODUCTION WITH THE EXPRESSED WRITTEN PERMISSION OF SIGNCOMP.

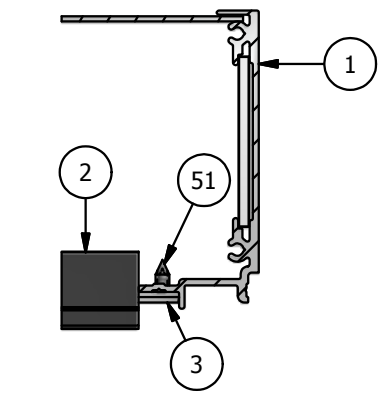
Project Name: **Series 4 Single Face Access Body**  
 Sign Company: **K1391**  
 Part #: \_\_\_\_\_  
 Revision: \_\_\_\_\_  
 Date: **3/22/2017**  
 Drawing By: **SBreihof**  
 Sheet: **1 of 1**  
 Size: \_\_\_\_\_



PARTS LIST			
ITEM	PART #	DESCRIPTION	NOTES
1	K1391	Series 4 SF Access Body	Assembly
2	1668	Insert Divider	
3	5306	Insert Divider Tab	Two (2) per divider
51	5168	Insert Divider Screw	Drill #8 1/8" hole

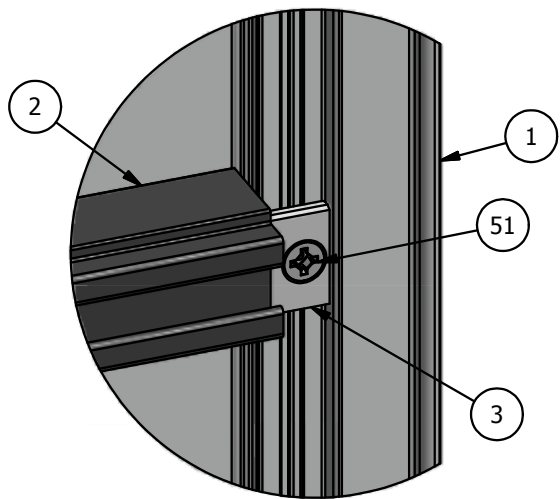
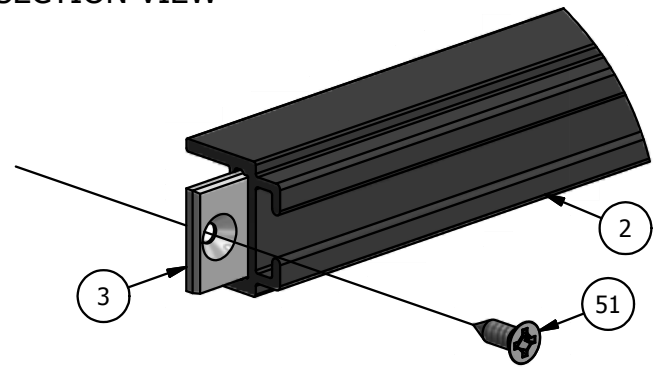
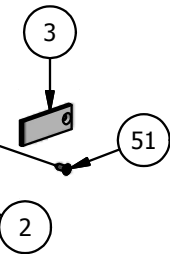
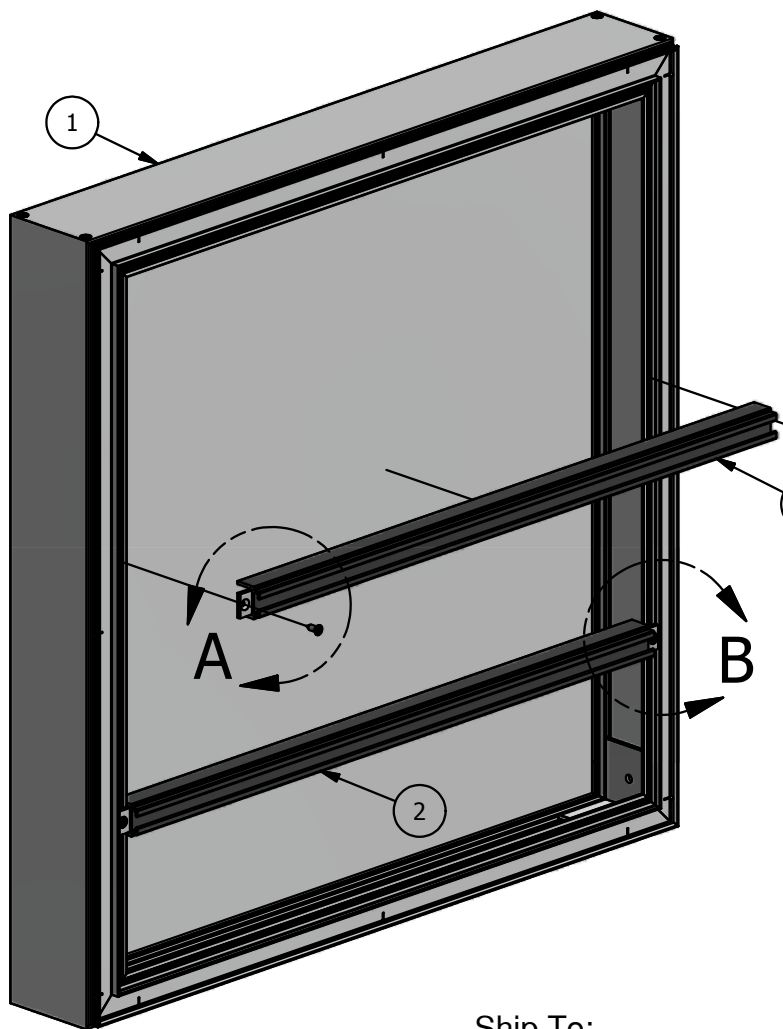
**NOTE: PRE-CUT KITS ARE NOT PRE-DRILLED.**  
 (Holes shown in this drawing are for reference only.  
 Drilling of pilot holes are to be done by fabricator.)

2 1



B

B



A

A

Ship To:  
Sales Order #

2 1

THIS DRAWING WAS CREATED AT NO CHARGE TO ASSIST YOU IN VISUALIZING OUR PROPOSAL. THE DRAWING HEREIN IS THE PROPERTY OF SIGNCOMP. PERMISSION TO COPY OR REVISE THIS DRAWING OR TO USE THIS DRAWING FOR PRODUCTION IS STRICTLY PROHIBITED AND CAN ONLY BE COPIED, REVISED OR USED FOR PRODUCTION WITH THE EXPRESSED WRITTEN PERMISSION OF SIGNCOMP.

<b>Project Name:</b> Series 4 SF Access Body w/ Insert Divider - Assembly	<b>Sheet:</b> 1 of 1	<b>Size:</b> A	<b>SignComp</b>
	<b>Date:</b> 10/24/2017	<b>Drawing By:</b> SBreihof	
<b>Part #:</b> K1391/68	<b>Revision:</b>		

2



1

### PARTS LIST

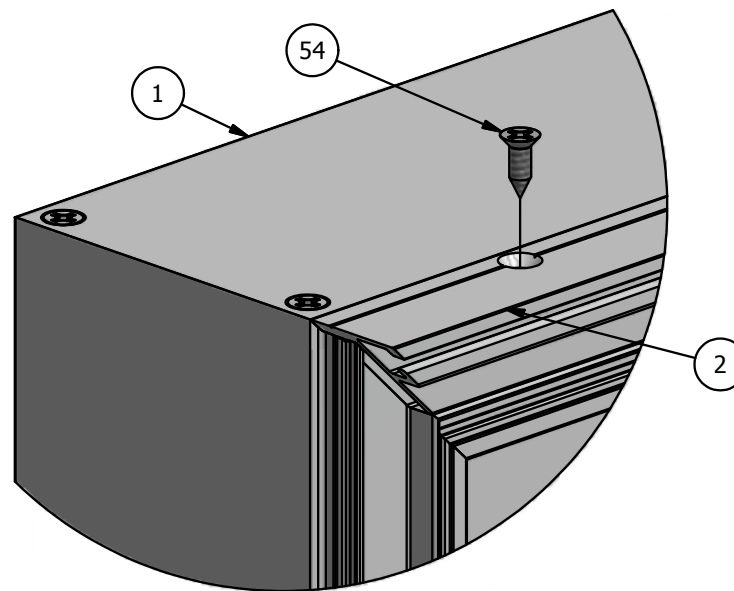
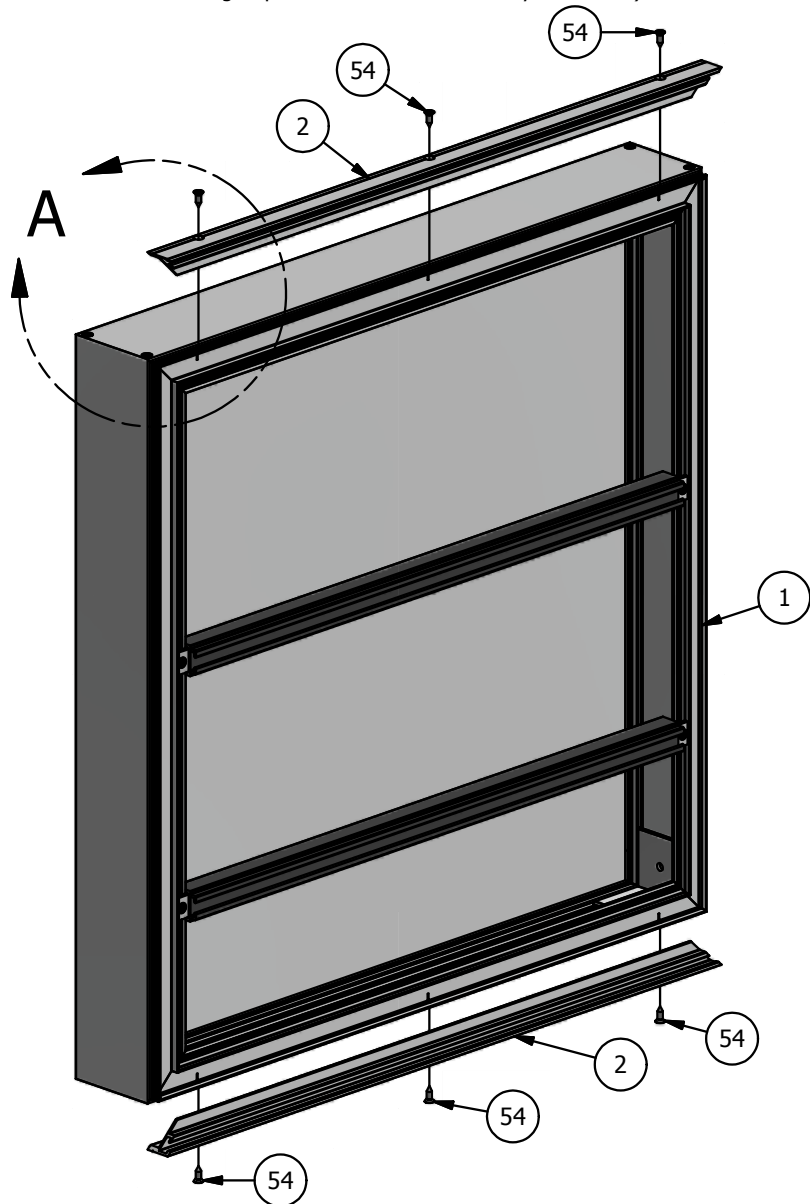
ITEM	PART #	DESCRIPTION	NOTES
1	K1391	Series 4 SF Access Body	Assembly
2	1292	Insert Cover	Top & Bottom
54	5168	Insert Top & Bottom Cover Screw	Drill #8 countersink

**NOTE: PRE-CUT KITS ARE NOT PRE-DRILLED.**

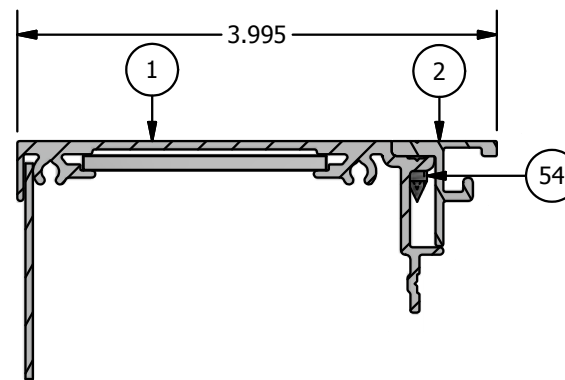
(Holes shown in this drawing are for reference only.  
Drilling of pilot holes are to be done by fabricator.)

Ship To:  
Sales Order #

B



DETAIL A



TOP CROSS-SECTION VIEW



A

2



1

THIS DRAWING WAS CREATED AT NO CHARGE TO ASSIST YOU IN VISUALIZING OUR PROPOSAL. THE DRAWING HEREIN IS THE PROPERTY OF SIGNCOMP. PERMISSION TO COPY OR REVISE THIS DRAWING OR TO USE THIS DRAWING FOR PRODUCTION IS STRICTLY PROHIBITED AND CAN ONLY BE COPIED, REVISED OR USED FOR PRODUCTION WITH THE EXPRESSED WRITTEN PERMISSION OF SIGNCOMP.

Project Name: Series 4 - SF Access Body w/ Insert Cover - Assembly

Sign Company: K1391/1292

Part #:

Revision:

Date: 10/25/2017

Drawing By: SBreihof

Sheet: 1 of 1

Size: A

**SignComp**

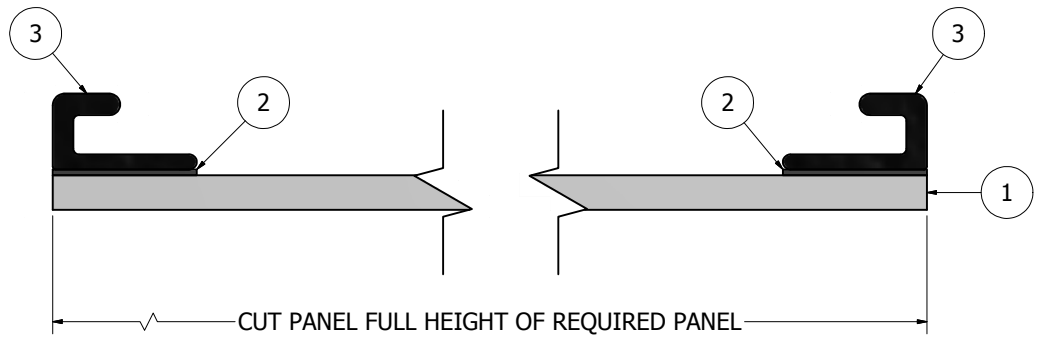
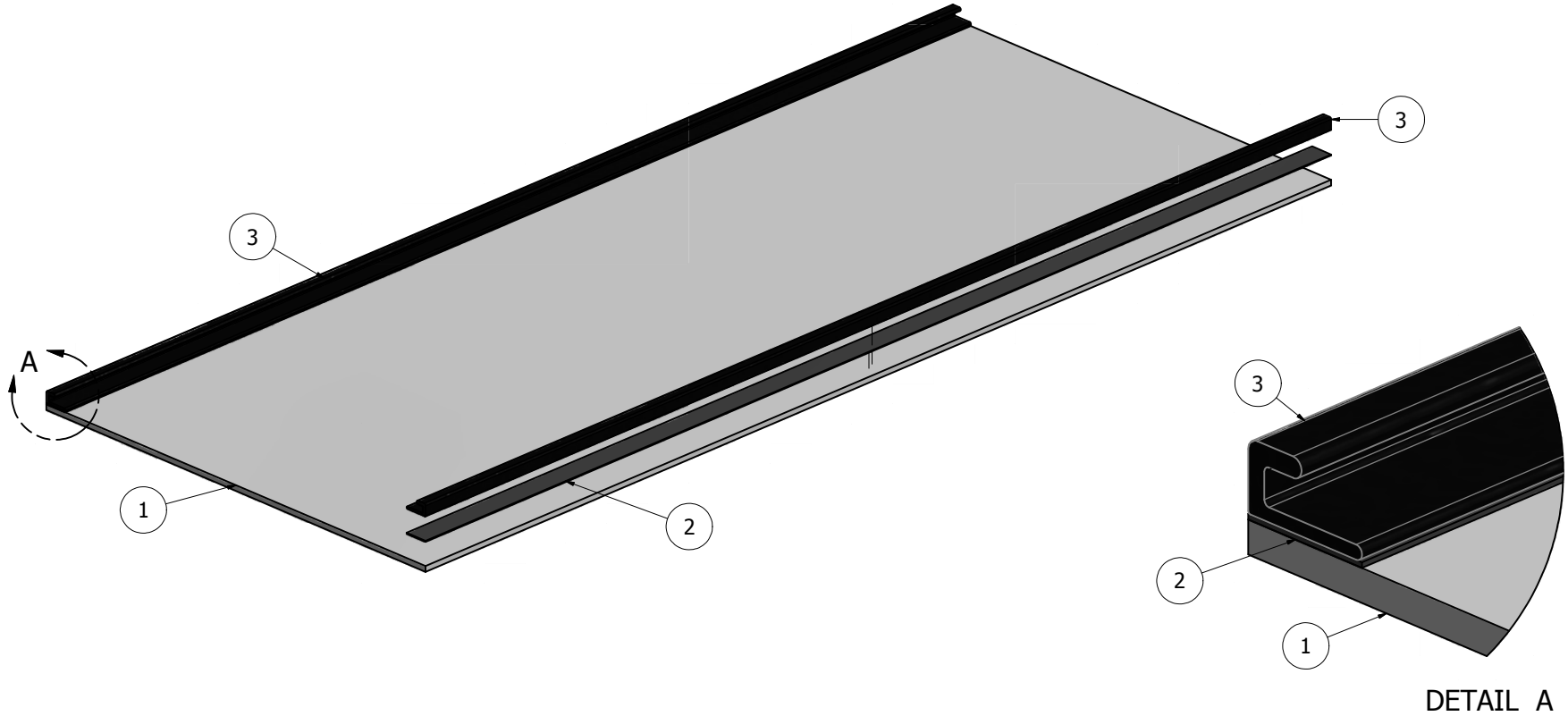
B



A

PARTS LIST			
ITEM	PART #	DESCRIPTION	NOTES
1	Plastic Stock	.120 Acrylic Sheet	By Fabricator
2	Adhesive	Adhesive Tape (for Plastic) or Liquid Bonding Agent	By Fabricator
3	1689	Plastic Insert Adaptor	Attaches along the Top & Bottom on back side of panel

Ship To:  
Sales Order#

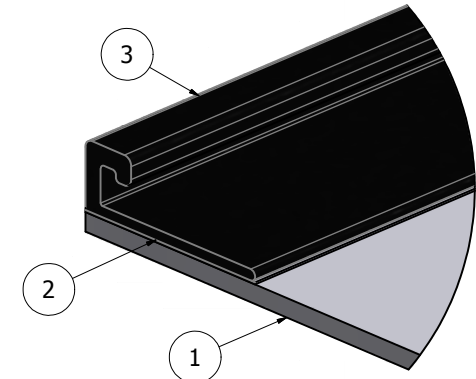
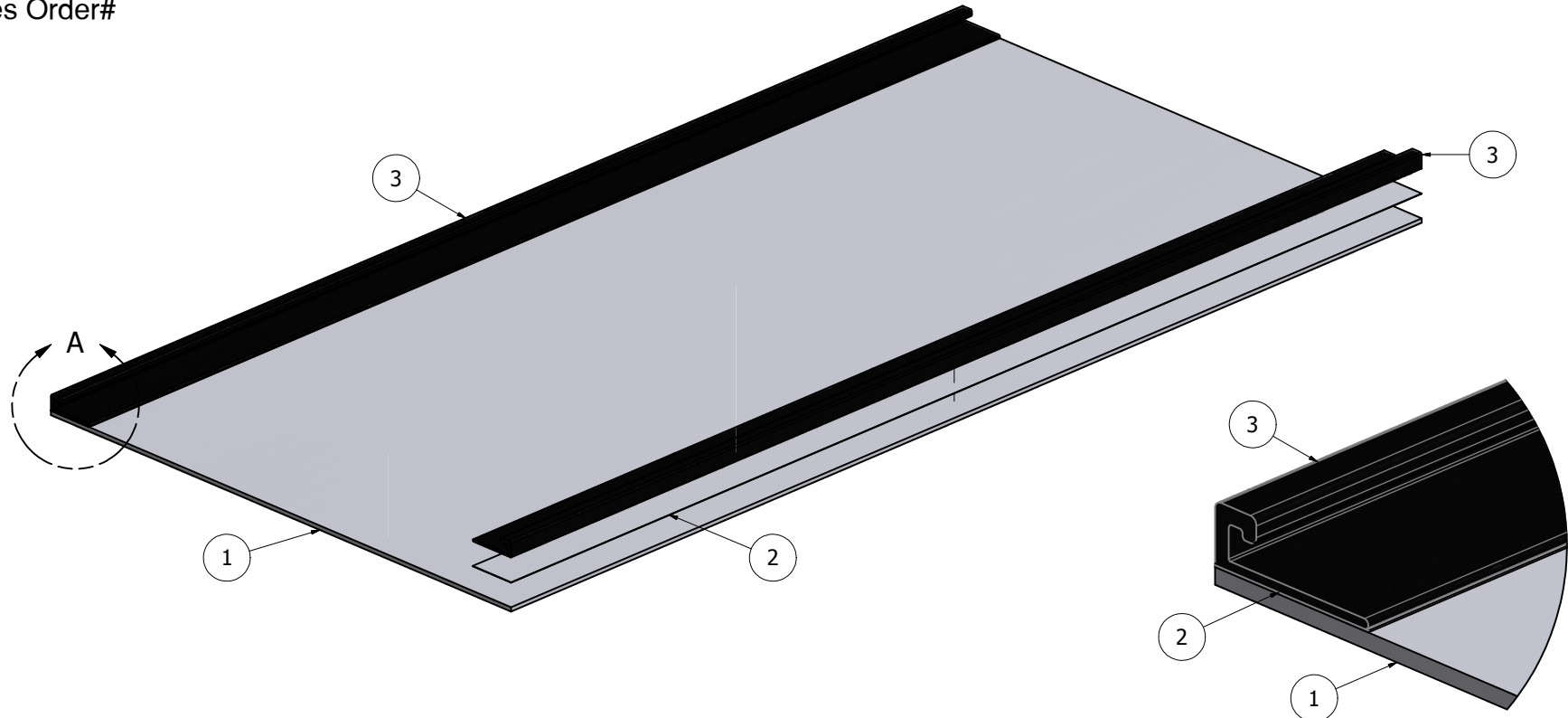


**NOTE: PRE-CUT KITS ARE NOT PRE-DRILLED.**  
(Holes shown in this drawing are for reference only.  
Drilling of pilot holes are to be done by fabricator.)

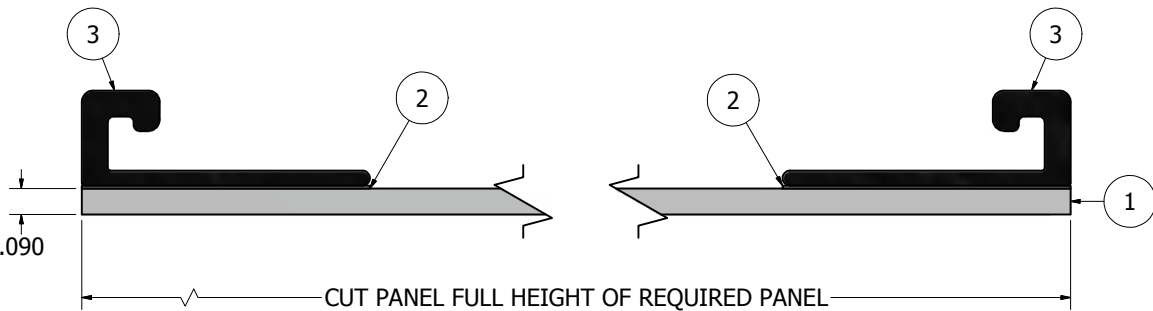
THIS DRAWING WAS CREATED AT NO CHARGE TO ASSIST YOU IN VISUALIZING OUR PROPOSAL. THE DRAWING HEREIN IS THE PROPERTY OF SIGNCOMP. PERMISSION TO COPY OR REVISE THIS DRAWING OR TO USE THIS DRAWING FOR PRODUCTION IS STRICTLY PROHIBITED AND CAN ONLY BE COPIED, REVISED OR USED FOR PRODUCTION WITH THE EXPRESSED WRITTEN PERMISSION OF SIGNCOMP.			
DRAWING BY:	SBreihof	6/7/2013	<b>SignComp</b>
Centroid X:	0.000 in		
Centroid Y:	0.000 in		
Principal Moments Ix:	0.000 in <sup>4</sup>		TITLE <b>Plastic Insert Adaptor</b>
Principal Moments Iy:	0.000 in <sup>4</sup>		
Section Modulus Ix:	0.000 in <sup>3</sup>		PART NO
Section Modulus Iy:	0.000 in <sup>3</sup>		<b>1689</b>
			REV
			SHEET 1 OF 1

PARTS LIST			
ITEM	PART #	DESCRIPTION	NOTES
1	Aluminum Stock	.090 Flat Aluminum Sheet	By Fabricator
2	Tape/Adhesive	Bonding Tape or Bonding Adhesive (for Aluminum)	By Fabricator
3	1679	Aluminum Insert Adaptor	Attaches along the Top & Bottom on back side of panel

Ship To:  
Sales Order#



DETAIL A



**NOTE: PRE-CUT KITS ARE NOT PRE-DRILLED.**  
(Holes shown in this drawing are for reference only.  
Drilling of pilot holes are to be done by fabricator.)

THIS DRAWING WAS CREATED AT NO CHARGE TO ASSIST YOU IN VISUALIZING OUR PROPOSAL. THE DRAWING HEREIN IS THE PROPERTY OF SIGNCOMP. PERMISSION TO COPY OR REVISE THIS DRAWING OR TO USE THIS DRAWING FOR PRODUCTION IS STRICTLY PROHIBITED AND CAN ONLY BE COPIED, REVISED OR USED FOR PRODUCTION WITH THE EXPRESSED WRITTEN PERMISSION OF SIGNCOMP.			
DRAWING BY:	SBreihof	6/7/2013	<b>SignComp</b>
Centroid X:	0.000 in	0.000 in	
Centroid Y:	0.000 in	0.000 in	Aluminum Insert Adaptor
Principal Moments Ix:	0.000 in <sup>4</sup>	0.000 in <sup>4</sup>	
Principal Moments Iy:	0.000 in <sup>4</sup>	0.000 in <sup>4</sup>	PART NO
Section Modulus Ix:	0.000 in <sup>3</sup>	0.000 in <sup>3</sup>	
Section Modulus Iy:	0.000 in <sup>3</sup>	0.000 in <sup>3</sup>	REV
		1679	
			SHEET 1 OF 1

2

1

**PARTS LIST**

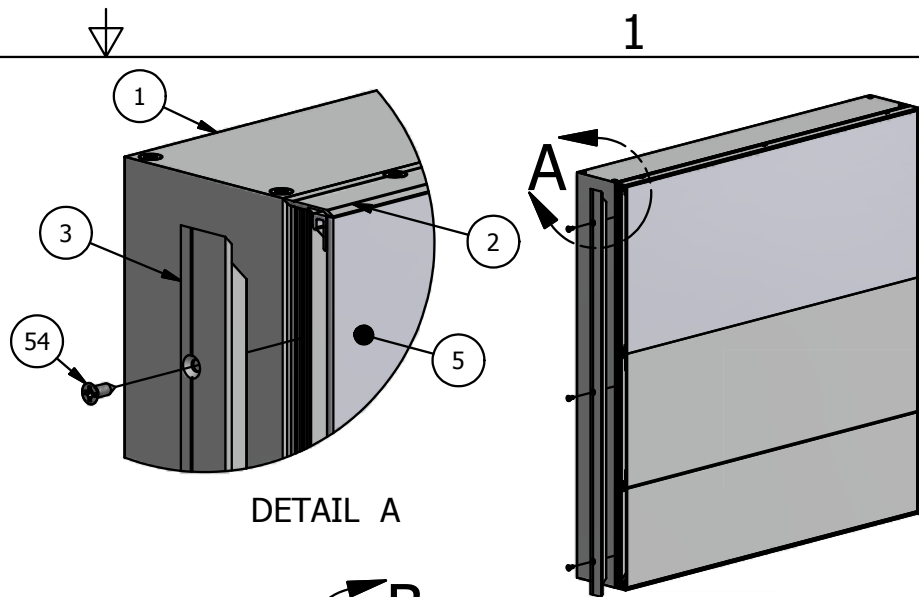
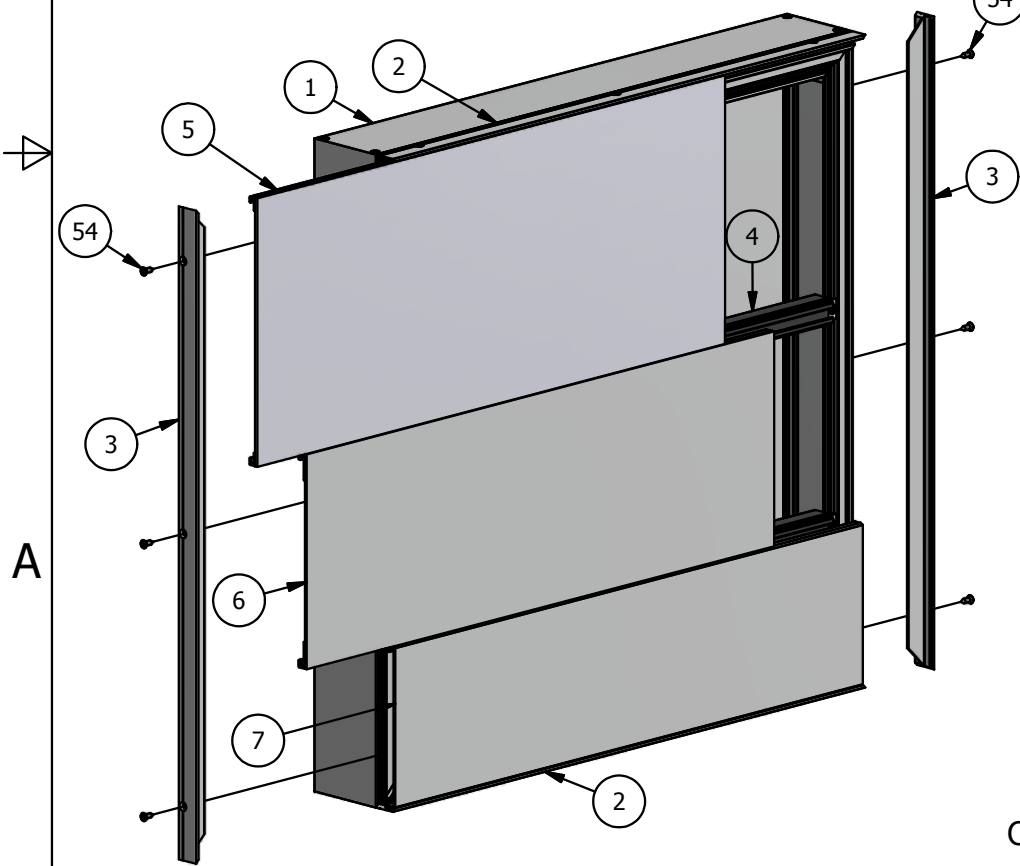
ITEM	PART #	DESCRIPTION	NOTES
1	K1391	Series 4 SF Access Body	Assembly
2	1292	Insert Top / Bottom Cover	Top & Bottom
3	1696/1698	Insert End Cover/Ext. Insert End Cover	
4	1668	Insert Divider	
5	1689	Panel w/ Plastic Insert Adaptors	Panel by Other
6	1679	Panel w/ Aluminum Insert Adaptors	Panel by Other
7	1674/76/78	4", 6" or 8" Aluminum Insert Panels	
54	5168	Insert End Cover Screw	Drill #8 countersink

**NOTE: PRE-CUT KITS ARE NOT PRE-DRILLED.**

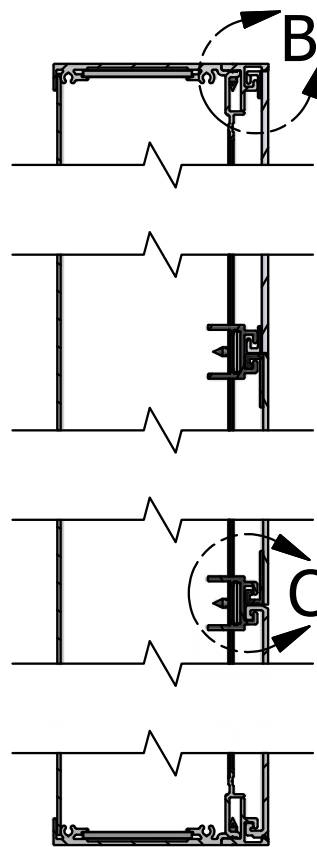
(Holes shown in this drawing are for reference only.  
Drilling of pilot holes are to be done by fabricator.)

Ship To:

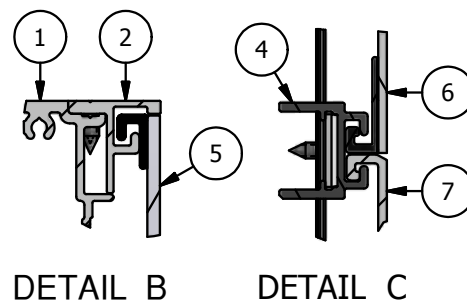
Sales Order #



DETAIL A



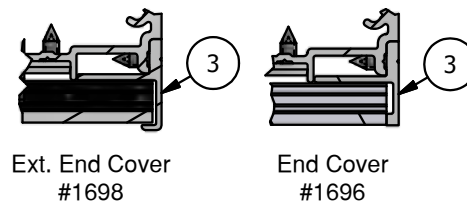
CABINET SECTION-VIEW THRU HORIZONTALS



DETAIL B

DETAIL C

**END COVER OPTIONS**



Ext. End Cover #1698

End Cover #1696

THIS DRAWING WAS CREATED AT NO CHARGE TO ASSIST YOU IN VISUALIZING OUR PROPOSAL. THE DRAWING HEREIN IS THE PROPERTY OF SIGNCOMP. PERMISSION TO COPY OR REVISE THIS DRAWING OR TO USE THIS DRAWING FOR PRODUCTION IS STRICTLY PROHIBITED AND CAN ONLY BE COPIED, REVISED OR USED FOR PRODUCTION WITH THE EXPRESSED WRITTEN PERMISSION OF SIGNCOMP.

Project Name:	Series 4 SF Access Body w/ Insert Panels & End Cvr's - Assembly
Sign Company:	K1391/92/96
Part #:	
Revision:	
Date:	10/25/2017
Sheet:	1 of 1
Size:	A
Drawing By:	SBreihof

**SignComp**

B

B

A

A

2

1

2



1

## PARTS LIST

ITEM	PART #	DESCRIPTION	NOTES
1	K1391/92/98	Series 4 SF Access Body w/ Insert Covers & Ext. End Covers	Assembly
2	1200	Series 2/3/4 Reveal	
42	5218	Reveal to Body Screw	Drill 5/32" pilot hole

**NOTE: PRE-CUT KITS ARE NOT PRE-DRILLED.**

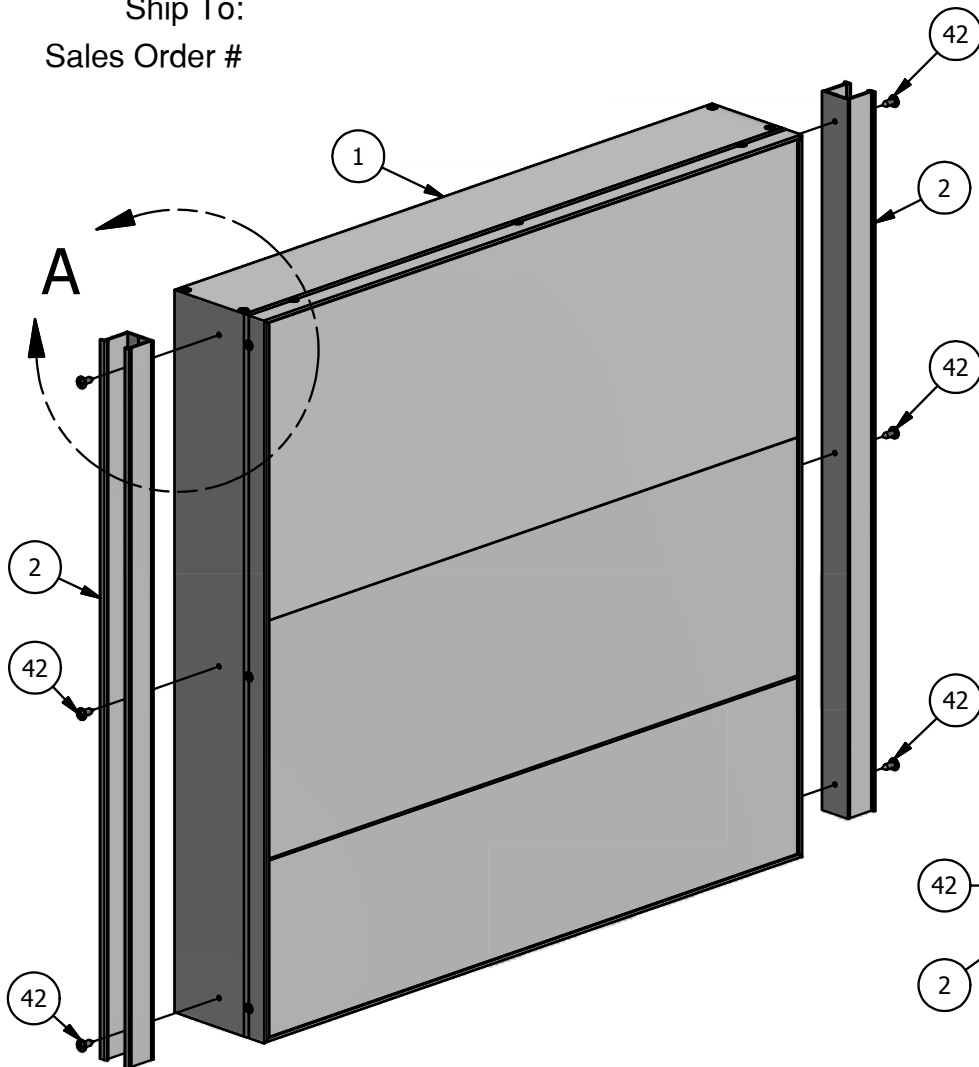
(Holes shown in this drawing are for reference only.  
Drilling of pilot holes are to be done by fabricator.)

Ship To:  
Sales Order #

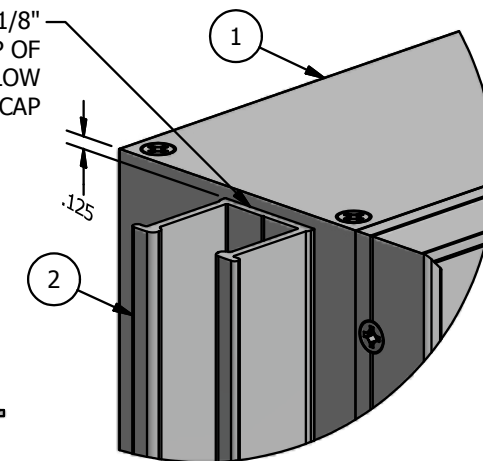
B



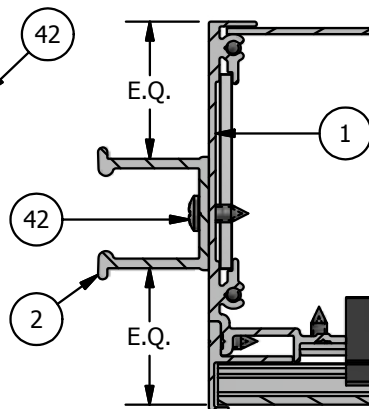
A



REVEAL IS FASTENED 1/8"  
DOWN FROM THE TOP OF  
THE CABINET TO ALLOW  
FOR THE POST CAP



DETAIL A  
ASSEMBLED



VERTICAL SECTION VIEW



2

1

THIS DRAWING WAS CREATED AT NO CHARGE TO ASSIST YOU IN VISUALIZING OUR PROPOSAL. THE DRAWING HEREIN IS THE PROPERTY OF SIGNCOMP. PERMISSION TO COPY OR REVISE THIS DRAWING OR TO USE THIS DRAWING FOR PRODUCTION IS STRICTLY PROHIBITED AND CAN ONLY BE COPIED, REVISED OR USED FOR PRODUCTION WITH THE EXPRESSED WRITTEN PERMISSION OF SIGNCOMP.

Project Name:	Series 4 SF Access Body w/ Insert Cvr - Series 2/3/4 Reveal	Sheet:	1 of 1	Size:	A
Sign Company:	K1391/92/98 - Reveal	Revision:		Drawing By:	SBreihof
		Date:	10/24/2017		

B

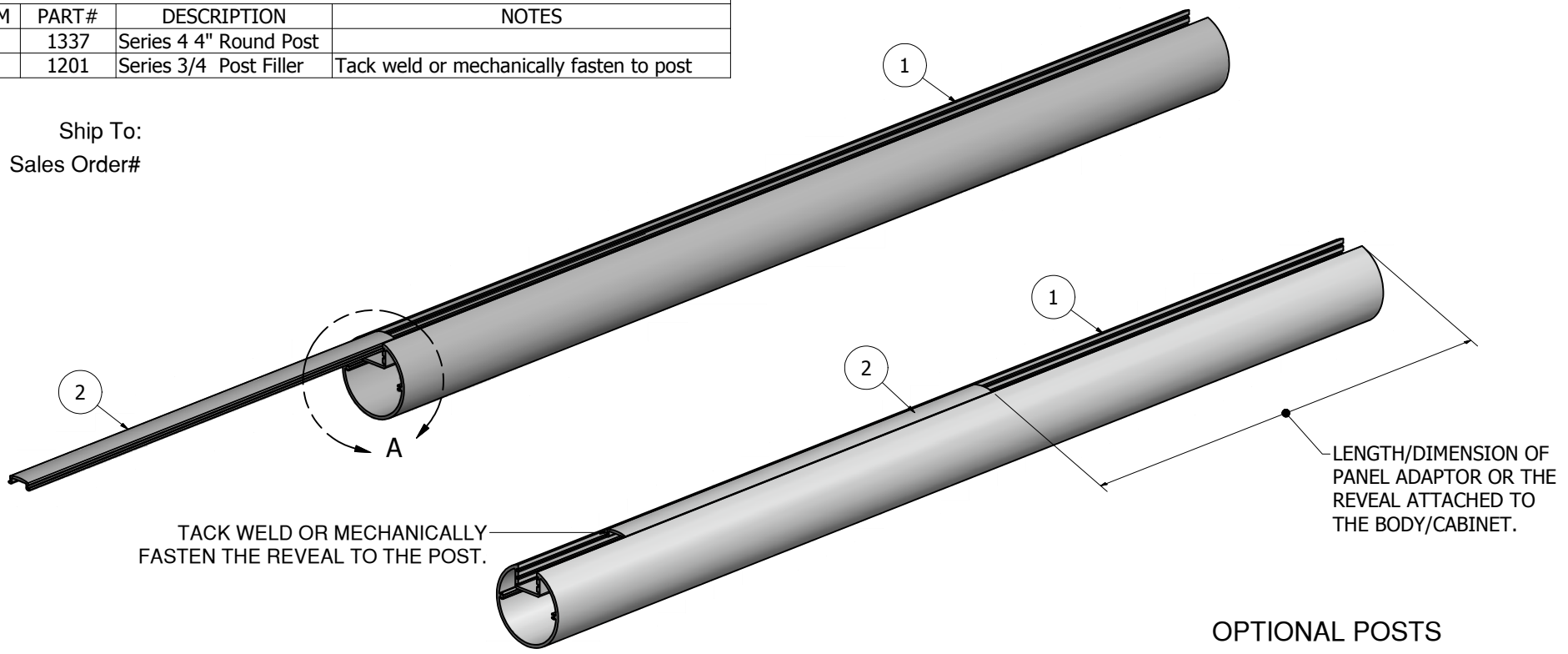


A



PARTS LIST			
ITEM	PART#	DESCRIPTION	NOTES
1	1337	Series 4 4" Round Post	
2	1201	Series 3/4 Post Filler	Tack weld or mechanically fasten to post

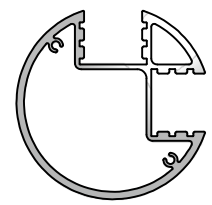
Ship To:  
Sales Order#



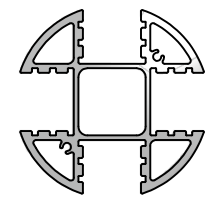
TACK WELD OR MECHANICALLY FASTEN THE REVEAL TO THE POST.

LENGTH/DIMENSION OF PANEL ADAPTOR OR THE REVEAL ATTACHED TO THE BODY/CABINET.

OPTIONAL POSTS

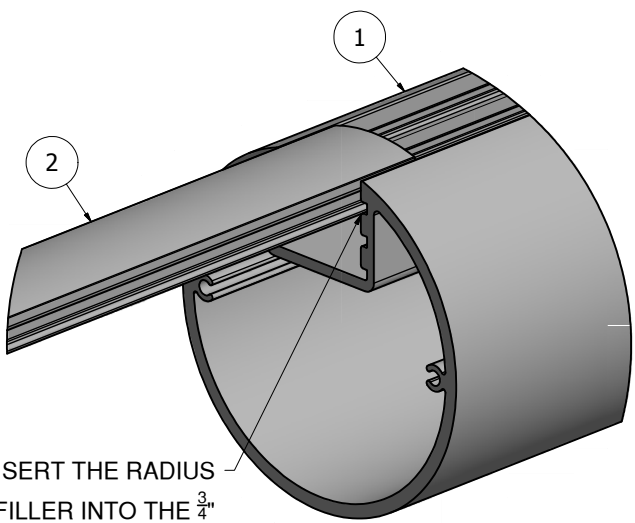


#1339  
4" ROUND 90° POST



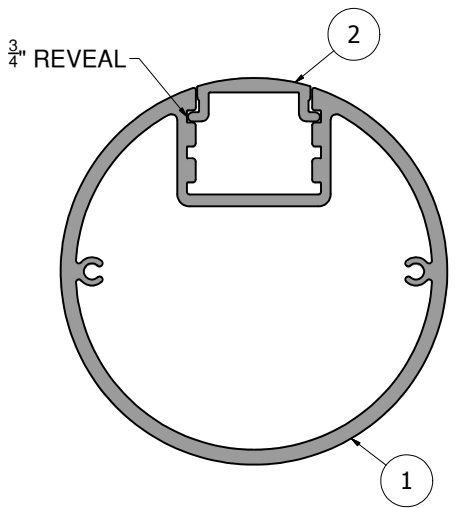
#1338  
4" ROUND 4-SIDED POST

**NOTE: PRE-CUT KITS ARE NOT PRE-DRILLED.**  
(Holes shown in this drawing are for reference only. Drilling of pilot holes are to be done by fabricator.)



INSERT THE RADIUS FILLER INTO THE  $\frac{3}{4}$ " REVEAL POSITION THEN SLIDE IT UP INTO THE POST.

DETAIL A



THIS DRAWING WAS CREATED AT NO CHARGE TO ASSIST YOU IN VISUALIZING OUR PROPOSAL. THE DRAWING HEREIN IS THE PROPERTY OF SIGNCOMP. PERMISSION TO COPY OR REVISE THIS DRAWING OR TO USE THIS DRAWING FOR PRODUCTION IS STRICTLY PROHIBITED AND CAN ONLY BE COPIED, REVISED OR USED FOR PRODUCTION WITH THE EXPRESSED WRITTEN PERMISSION OF SIGNCOMP.			
DRAWING BY:	SBreihof	4/15/2013	<b>SignComp</b>
Centroid X:	0.000 in		
Centroid Y:	0.000 in		TITLE
Principal Moments Ix:	0.000 in <sup>4</sup>		Series 4 4" Round Post - Series 3/4 Radius Filler Assembly
Principal Moments Iy:	0.000 in <sup>4</sup>		PART NO
Section Modulus Ix:	0.000 in <sup>3</sup>		<b>1337-01</b>
Section Modulus Iy:	0.000 in <sup>3</sup>		REV
			SHEET 1 OF 1